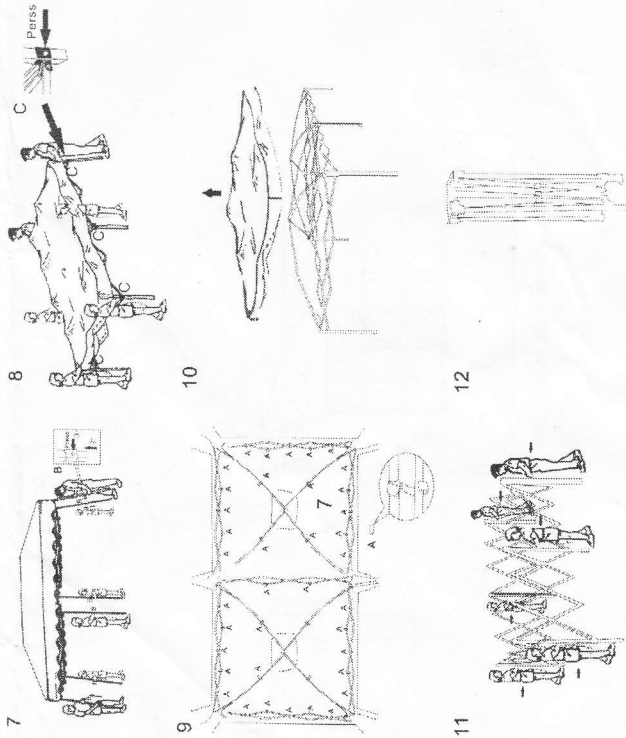
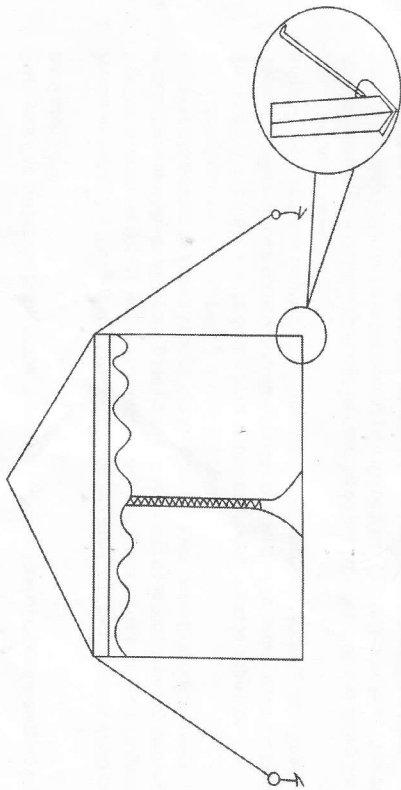


HOW TO FOLD YOUR GAZEBO

1. First remove any leg stakes and ropes.
2. Next, disconnect the Velcro straps and remove the sidewalls.
3. With the help of your partner, lift two adjacent legs slightly and press the snap button to disengage. Once disengaged, push the telescopic inner legs into the outer legs. Repeat this step on the remaining legs.
4. Disconnect the slider at all six corners by applying a slight upward pressure with one hand while depressing the snap button to release the slider with the other hand. Push the slider down past the snap button.
5. Each partner should grasp the top of the inside corner of the gazebo (see diagram) and lift up slightly. Shake the canopy gently. Pull hands apart while stepping towards your partner until the unit is 75% closed.
6. Grasp the two other legs and lift slightly off the ground. Lastly, push together to fully close the Gazebo.

Qty (2) removable sidewalls with zipper.

CLOSE INSTRUCTIONS

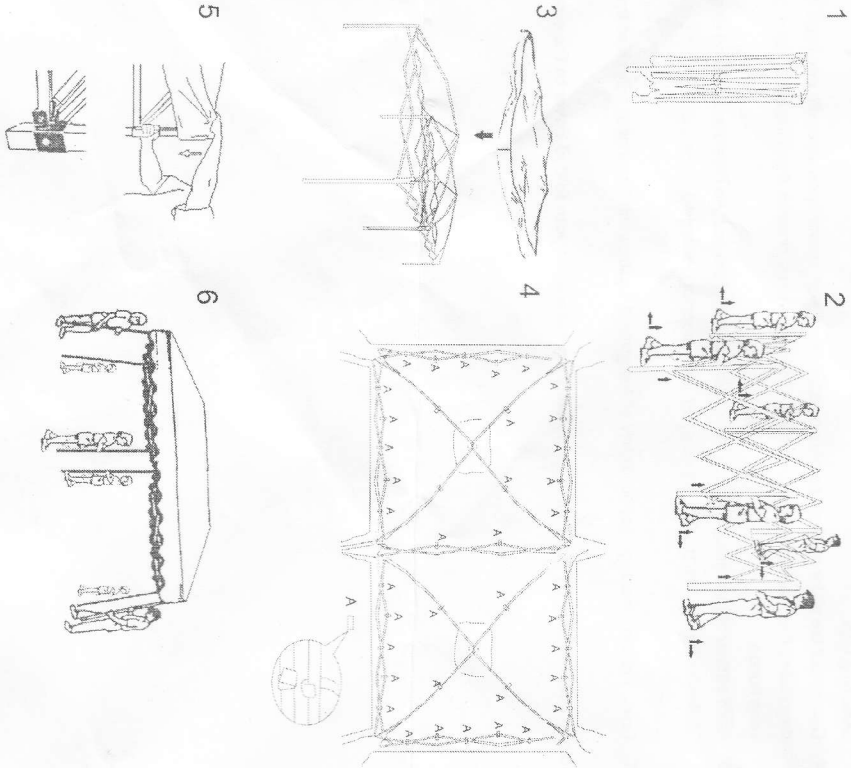


***Make sure the canopy material is completely dry before put your folded cover to the storage bag.**

OPEN INSTRUCTIONS

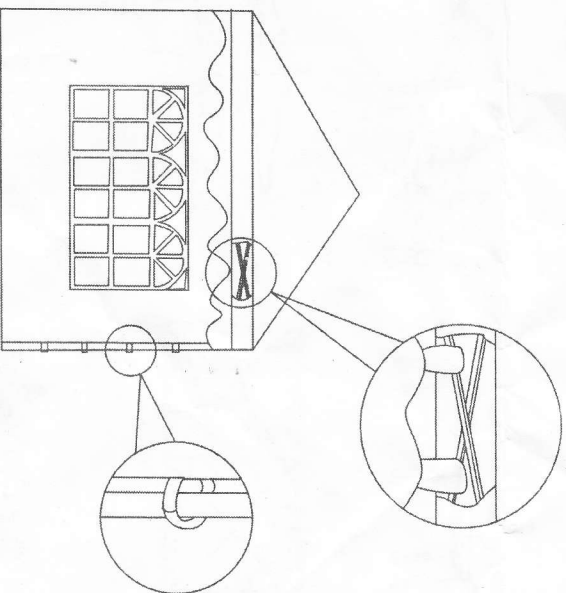
CAUTION:

Do not set up this Gazebo in windy conditions. Doing so may result in injury and/or damage to your tent.



1. Place your Pop up Gazebo in the center of your working area. Next, remove the carrying bag and hold the Gazebo upright.
2. As shown in step 2 of the diagram, open the gazebo tent with the help of partners. While working together on opposite ends, grasp the two outside legs and lift the frame slightly off the ground. Now, walk backwards while slowly opening the gazebo. Continue to open the gazebo by pushing the side supports into position as shown in steps 3 in the diagram. Next, move to opposite corners and repeat this series of steps until the gazebo is almost fully open.
***Be careful not to pull backwards too hard as this may bend the side supports.**
3. Engage the slider at each corner by pushing up with one hand while holding down the top of the leg with the other hand (see diagram 5). A snap button will engage in the locating hole. Repeat this procedure on the other five legs.
4. Working in pairs, extend the support legs by stepping on the leg's foot plate and sliding the inner leg out until the snap button locks in the locating hole. Repeat this step until completed (See diagram 6).
5. Next, attach the removable sidewalls by wrapping the Velcro straps around the leg frames.
6. Lastly, secure the gazebo tent using the ropes. Attach the ropes to the ring at each corner and secure your Pop up Gazebo to the ground using stakes. Or, simply push the stakes through the hole on each leg's foot plate into solid soil.

Sidewall instructions as follows



Qty (4) Removable sidewalls with window.

HOW TO SET UP YOUR POP UP GAZEBO

Please follow these instructions carefully to avoid pinching your fingers when the frame is opening and closing. Setting up your tent requires a minimum of three people.